

Single Drum Vibratory Rollers

BW124-40 Series



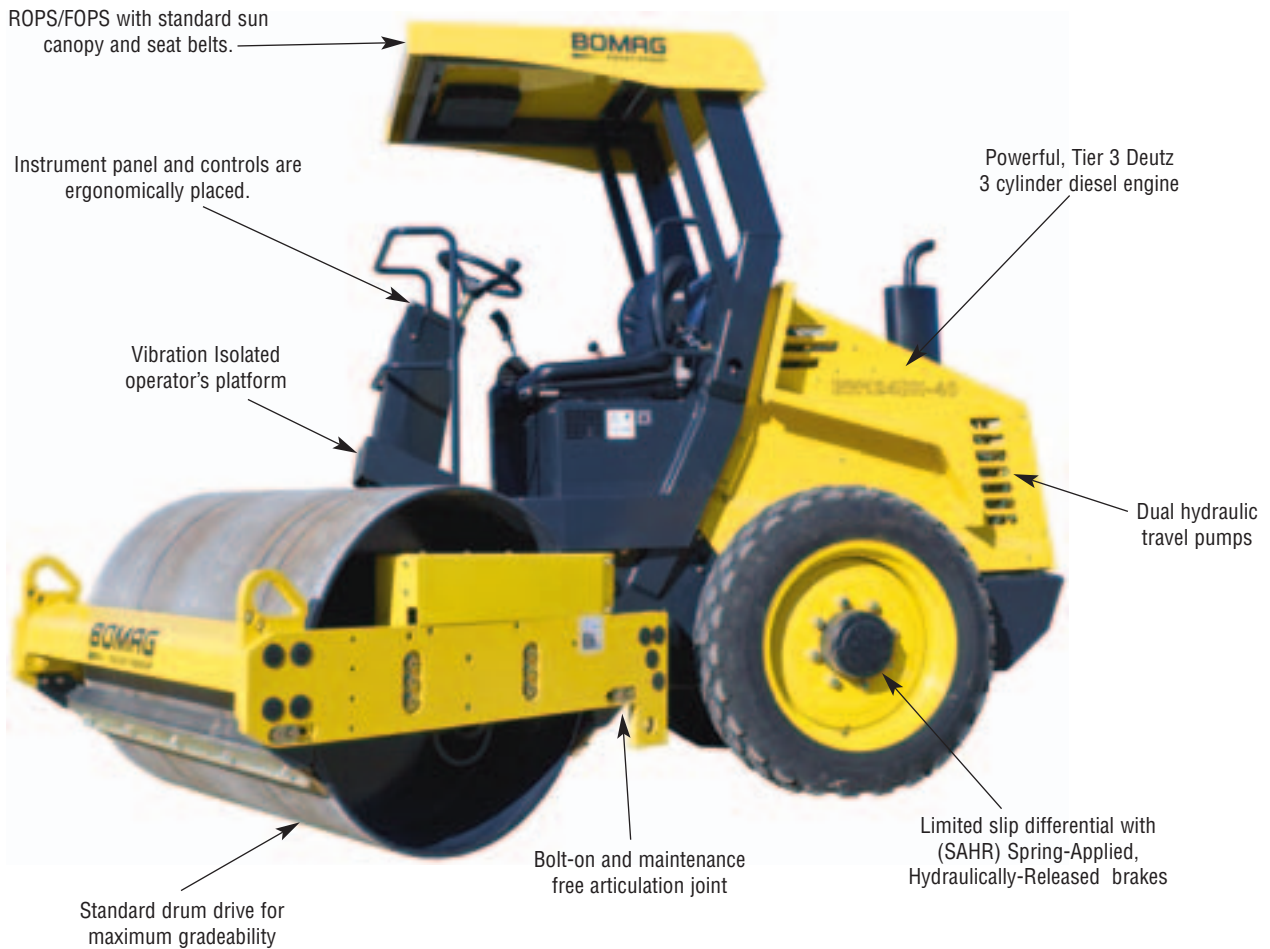
MODEL	Compaction Output (cu. yd/h) at recommended soil layer/lift thickness. *			
	Rock Fill	Gravel, Sand	Mixed Soils	Silt, Clay
BW124DH-40	-	137 - 275	98 - 196	52 - 118
BW124PDH-40	-	137 - 275	98 - 196	65 - 131

MODEL	Compaction Layer Thickness (in).*			
	Rock Fill	Gravel, Sand	Mixed Soils	Silt, Clay
BW124DH-40	-	14	10	6
BW124PDH-40	-	14	10	8

* Compaction output influenced by soil/material type and moisture content.



BW124-40 Series



■ *The right choice for a wide range of light duty to large scale compaction applications...*

The BW124-40 Series continues to offer large roller features in a compact design. Dual travel pumps, a limited slip differential and standard drum drive deliver enhanced tractive effort and gradeability. The Tier 3 Deutz 3-cylinder diesel engine is powerful and efficient for the most demanding applications.

The bolt-on, maintenance free centerjoint provides 35 degrees of articulation and 12 degrees of oscillation, for unmatched maneuverability and full drum contact on irregular terrain. The single travel lever provides simple, variable control for travel direction and speed. The compact design meets the One Meter by One Meter visibility aspect for enhanced jobsite safety.

■ Applications:

- Road Construction
- Site Preparation
- Embankment Compaction
- Trench Work
- Utility Installations
- Landscaping Jobs



BW124PDH-40 padfoot roller.

Featuring...



Efficient access to the engine and major components



Scrapers are positioned at both the front and rear of the drum to ensure a clean drum surface



Bolt-on centerjoint is maintenance-free

Compact design provides optimal visibility and maneuverability

■ Achieve Maximum Productivity:

- Rugged limited slip differential and standard drum drive provides maximum gradeability and tractive effort.
- The BW124DH-40 smooth drum model quickly and efficiently compacts granular and mixed soils.
- The BW124PDH-40 and BW124PDH-40 + blade padfoot models deliver maximum productivity on semi-cohesive and cohesive materials.
- The BW124PDH-40 + blade, quickly and efficiently spreads and levels irregular surface material with its leveling blade.
- Lockable engine hood and control panel area protects fluid access points and instruments against vandalism and helps reduce damage related downtime.
- Recessed drum frame bolt holes avoid rounding and shearing off of bolt heads when working close to obstacles.
- Front frame is wider than rear tractor, reducing tire damage when working in confined areas.

■ Handling is Easier & Safer:

- Console positioned travel lever controls speed and direction.
- Vibration isolated operator's platform with adjustable seat ensures operator's comfort.
- Engine exhaust and noise are directed away from the operator.
- Rubber buffer solid block isolators minimize vibration energy transmitted by the drum and allow extended, fatigue free operation. Buffers can be individually serviced without drum removal.

■ Less Service & Maintenance:

- Vibratory drum mechanism is virtually maintenance free.
- The powerful SAHR (Spring Applied, Hydraulically Released) brakes are virtually maintenance free.
- Hydraulic oil change intervals are extended with the BOMAG oil filter system up to 2,000 hours or 2 years.
- Pressure test ports are built directly into the hydraulic system for quick and simple analysis of all critical pressures.



Optional blade system is controlled by strategically positioned floor mounted foot pedals



Simple and clear instrument panel layout



Optional angle blade enhances machine versatility

Best for
COMPACTION

Technical Specifications

BW124-40 Series

Shipping dimensions

in cubic feet (m ³)	without/with ROPS/FOPS	
BW 124 DH-40	290.7 (8.2)	383.2 (10.8)
BW 124 PDH-40	290.7 (8.2)	383.2 (10.8)
BW 124 PDH-40 w/blade	390.7 (11.1)	515.1 (14.6)

Standard equipment

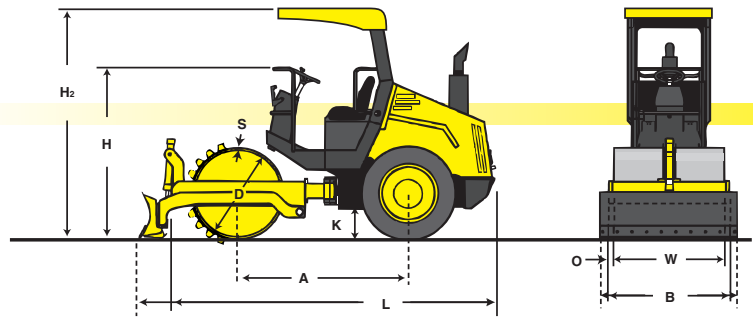
- Single Amplitude Drum
- Hydrostatic travel & vibration drives
- Hydrostatic steering
- Rear axle with Spring-Applied, Hydraulically Released (SAHR) brakes
- Limited slip differential
- Dual Flexible Drum Scrapers (DH)
- Dual Drum Scrapers (PDH)
- Articulated centerjoint lock
- Lockable control panel
- Hour meter
- Warning horn
- Fuel level indicator
- Audible and/or visual warning indicators:
 - Engine oil pressure
 - Engine temperature
 - Air filter vacuum
 - Brake control
 - Charge control
- Adjustable operator's seat
- Emergency STOP
- ROPS / FOPS with seat belts
- Back-up alarm

Optional equipment

- Dual Amplitude
- ROPS/FOPS with rear window
- Hood sound insulation
- Working Lights (front & rear)
- Leveling blade
- Leveling blade with angle mechanism
- Rotary Beacon

* Subject to technical alterations. Models shown may include optional equipment.

** Optional leveling blade is for surface profiling/contouring and backdragging of loose fill material only. This design is not intended to function as a device for excavation purposes.



Dimensions in inches (mm)

	A	B	D	H	H ₂	K	L	O	S	W
BW 124 DH-40	71.1 (1805)	51.6 (1310)	37.8 (960)	73.8 (1874)	97.3 (2471)	12.6 (320)	131.9 (3350)	2.2 (55)	0.59 (15)	47.2 (1200)
BW 124 PDH-40	71.1 (1805)	51.6 (1310)	35.0 (889)	73.8 (1874)	97.3 (2471)	12.6 (320)	131.9 (3350)	2.2 (55)	0.59 (15)	47.2 (1200)
BW 124 PDH-40 w/blade	71.1 (1805)	59.6 (1514)	35.0 (889)	73.8 (1874)	97.3 (2471)	12.6 (320)	153.5 (3899)	2.2 (55)	0.59 (15)	47.2 (1200)

Technical data

	BOMAG BW 124 DH-40	BOMAG BW 124 PDH-40	BOMAG BW 124 PDH-40 w/blade
Weights			
Operating weight with ROPS/FOPS... lb (kg)	7010 (3180)	7120 (3230)	8050 (3650)
Axle load, drum... lb (kg)	3530 (1600)	3625 (1645)	4235 (1920)
Axle load, wheels... lb (kg)	3480 (1580)	3495 (1585)	3815 (1730)
Static linear load (drum)... lb/in (kg/cm)	74.8 (13.3)	-	-
Driving characteristics			
Speed (1) ... mph (km/h)	0-5.6 (0-9)	0-5.6 (0-9)	0-5.6 (0-9)
Maximum gradeability ... %	55	55	55
Drive			
Engine ... (Deutz Diesel)	D2011 L03i	D2011 L03i	D2011 L03i
Cooling - cylinder heads/liners	air/oil	air/oil	air/oil
Number of cylinders	3	3	3
Performance ISO 9249... hp (kW)	44 (33)	44 (33)	44 (33)
Speed... rpm	2500	2500	2500
Performance SAEJ 1995... hp (kW)	50 (37)	50 (37)	50 (37)
Speed... rpm	2800	2800	2800
Electric equipment ... V	12	12	12

Drums & Tires

	BOMAG BW 124 DH-40	BOMAG BW 124 PDH-40	BOMAG BW 124 PDH-40 w/blade
Number of pad feet	-	70	70
Area of one pad foot... in ² (cm ²)	-	12.6 (81)	12.6 (81)
Height of one pad foot... in (mm)	-	2.2 (55)	2.2 (55)
Tire size and tread design	9.5-24/4PR/R-3	9.5-24/6PR/R-1	9.5-24/6PR/R-1

Brakes

	BOMAG BW 124 DH-40	BOMAG BW 124 PDH-40	BOMAG BW 124 PDH-40 w/blade
Service brake	hydrostatic	hydrostatic	hydrostatic
Secondary/Parking brake	SAHR	SAHR	SAHR

Steering

	BOMAG BW 124 DH-40	BOMAG BW 124 PDH-40	BOMAG BW 124 PDH-40 w/blade
Steering system	oscil. artic.	oscil. artic.	oscil. artic.
Steering method	hydrostatic	hydrostatic	hydrostatic
Steering / Oscillating angle ± ... degrees	35/12	35/12	35/12
Track radius, inner... in (mm)	88.2 (2240)	88.2 (2240)	88.2 (2240)

Vibratory system

	BOMAG BW 124 DH-40	BOMAG BW 124 PDH-40	BOMAG BW 124 PDH-40 w/blade
Frequency... vpm (Hz)	2460 (41)	2460 (41)	2460 (41)
Amplitude... in (mm)	0.067 (1.7)	0.063 (1.6)	0.063 (1.6)
Centrifugal force... lb (kN)	18540 (82.5)	18540 (82.5)	18540 (82.5)

Capacities

	BOMAG BW 124 DH-40	BOMAG BW 124 PDH-40	BOMAG BW 124 PDH-40 w/blade
Fuel... gal (l)	15.9 (60)	15.9 (60)	15.9 (60)

Tech data for Dual Amplitude Option

	BOMAG BW 124 DH-40	BOMAG BW 124 PDH-40	BOMAG BW 124 PDH-40 w/blade
Weights			
Operating weight with ROPS/FOPS... lb (kg)	7075 (3210)	7185 (3260)	8115 (3880)
Axle load, drum... lb (kg)	3580 (1625)	3690 (1675)	4300 (1950)
Axle load, wheels... lb (kg)	3495 (1585)	3495 (1585)	3825 (1730)
Static linear load (drum)... lb/in (kg/cm)	75.8 (13.5)	-	-
Vibratory system			
Amplitude... in (mm)	0.067/0.033 (1.7/0.85)	0.063/0.031 (1.6/0.8)	0.063/0.031 (1.6/0.8)
Centrifugal force... lb (kN)	19125/9675 (85/43)	19125/9675 (85/43)	19125/9675 (85/43)

B572H-2471 2M609TTTT

BOMAG
FAYAT GROUP

BOMAG Americas, Inc.

2000 Kentville Rd. • Kewanee, IL 61443
Tel: 309 853-3571 • Fax: 309 852-0350